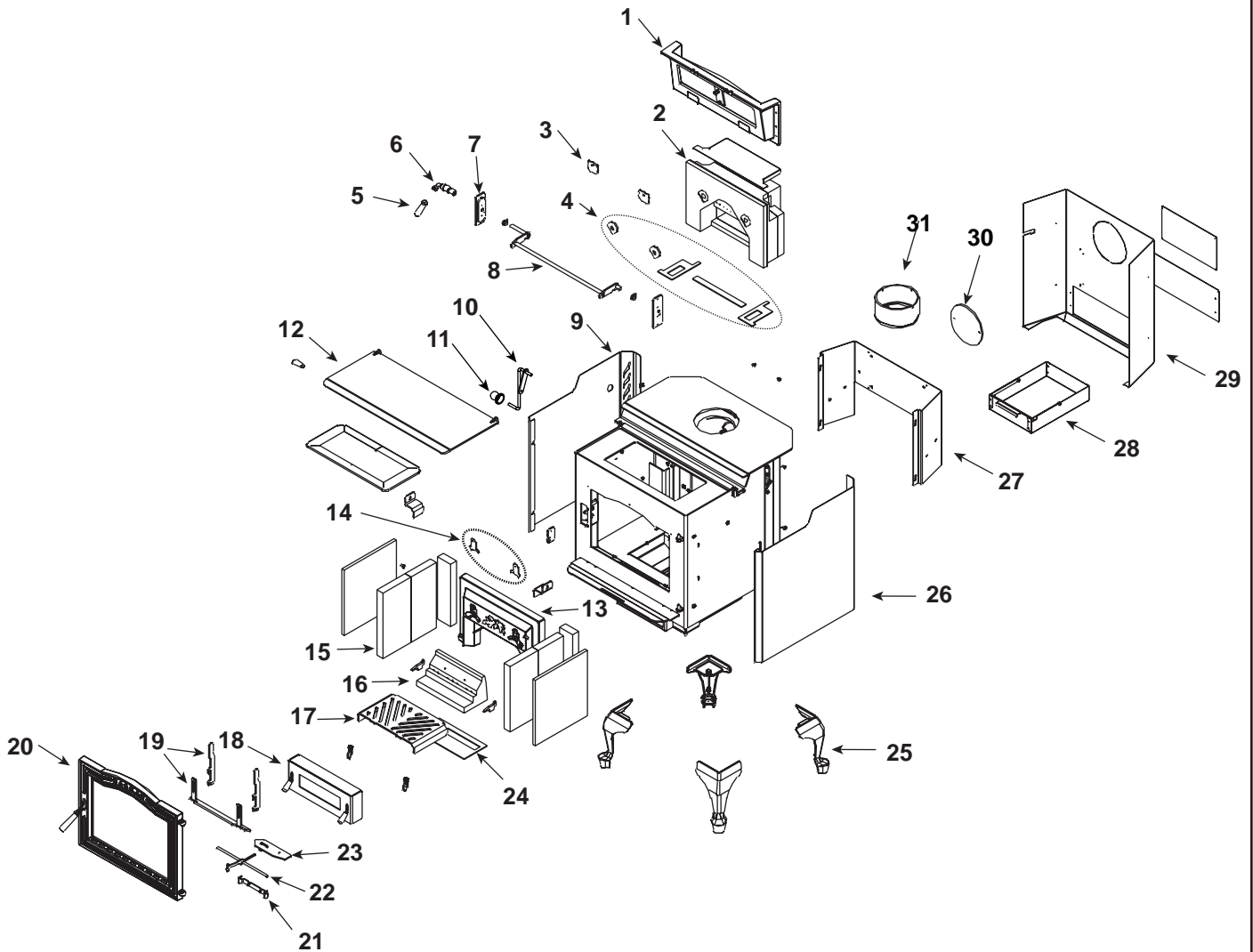


1-90-858000-1



Part number list on following page.

IMPORTANT: THIS IS DATED INFORMATION. Parts must be ordered from a dealer or distributor. **Hearth and Home Technologies does not sell directly to consumers.** Provide model number and serial number when requesting service parts from your dealer or distributor.



**Stocked  
at Depot**

| ITEM | DESCRIPTION                                   | COMMENTS       | PART NUMBER    |   |
|------|---|----------------|----------------|---|
| 1    | Damper Frame Assembly W/Damper                |                | 1-10-250109A   | Y |
|      | Damper adjuster with hardware                 |                | 1-00-250153    |   |
|      | Damper gasket                                 | 30 ft          | 1-00-00888     | Y |
|      | Damper Shaft Retainers & Hardware             | Set of 2       | 1-00-249145    | Y |
|      | Damper, Only                                  |                | 1-10-249107    |   |
|      | Gasket, 1" single Ply Tape                    | 10 Ft          | 1-00-88100     | Y |
| 2    | Fire dome Plus Combustion Package with Gasket |                | 3-40-358110    | Y |
|      | Gasket, brick air                             | Pkg of 4       | 3-44-2500202-4 | Y |
|      | Gasket Set, Complete                          |                | 3-44-358110    | Y |
| 3    | Rear brick clips with hardware                | Pkg of 2       | 1-00-249135    |   |
| 5    | Wooden handle for damper w/hardware           | Pkg of 2       | 1-00-00249     | Y |
| 6    | Damper Elbow, painted                         |                | 3-50-00500S    | Y |
| 7    | Damper shaft bushing plates w/hardware        | Inner & outer  | 1-00-856061    | Y |
| 8    | Damper rod weldment                           |                | 1-10-856011W   | Y |
| 9    | Left side panel, painted                      |                | 2-00-857019B   | Y |
| 10   | Top Load door Lift Arm w/Knob                 | Post 008850439 | 1-10-08722     | Y |
| 11   | Wood Handle w/Hardware                        | Post 008850439 | 1-00-06228     |   |
| 12   | Top Load Door, Painted w/Gasket & Hardware    | Pre 008850439  | 1-10-856509A   |   |
|      |   | Post 008850439 | 1-10-856009A   | Y |
|      | Bottom Hinge                                  | Set of 2       | 1-00-856084    |   |
|      | Hinge Spacer                                  | Qty 2 req      | 2-00-40021L    |   |
|      | Top Load Door Gasket                          | 5 Ft           | 1-00-10050     | Y |
|      | Wood Handle, Pkg of 3                         | Pre 008850439  | 3-40-08746-3   |   |
| 13   | Inlet brick                                   |                | 3-40-358112    | Y |
| 14   | Brick Air Plate                               | Set of 2       | 1-00-358118    | Y |
| 15   | Side & rear firebrick                         | 6 pc set       | 1-00-857047    | Y |
| 16   | Combustion shoe brick                         |                | 3-40-00100     | Y |
| 17   | Ash grate                                     |                | 2-00-857052B   | Y |
| 18   | Ash door asy, painted with handles            |                | 1-10-857036A   |   |
|      | Ash door latch only                           | Qty 2 req      | 3-00-249149    |   |
|      | Ash door gasket                               | 5 ft           | 1-00-10000     | Y |
|      | Ash door hinge with hardware                  | Set of 2       | 1-00-857050    |   |
|      | Ash door roller with hardware                 | Set of 2       | 1-00-06904     |   |
|      | Ash Door Wood Handle                          | Pkg of 3       | 3-40-08746-3   |   |
| 19   | Andiron with hardware and extensions          |                | 1-00-856010    | Y |
|      |   |                |                |   |
|      |   |                |                |   |

Additional service parts on following page

IMPORTANT: THIS IS DATED INFORMATION. Parts must be ordered from a dealer or distributor. **Hearth and Home Technologies does not sell directly to consumers.** Provide model number and serial number when requesting service parts from your dealer or distributor.



Stocked  
at Depot

| ITEM | DESCRIPTION                                       | COMMENTS          | PART NUMBER    |   |
|------|---|-------------------|----------------|---|
| 20   | Front load door asy, painted with glass           |                   | 1-10-06920A    |   |
|      | Ball Spring Bracket                               |                   | 2-00-06714     |   |
|      | Cast Door, Painted                                |                   | 4-00-06920P    |   |
|      | Door gasket                                       | 30 ft             | 1-00-00888     | Y |
|      | Door latch, painted w/hdwr & handle               |                   | 1-00-249119    | Y |
|      | Glass clips                                       | Set of 4          | 2-00-05202-4   | Y |
|      | Glass gasket                                      | 15 ft             | 1-00-2312      | Y |
|      | Glass only  |                   | 3-40-06932     | Y |
|      | Latch plate, roller & hardware                    |                   | 1-00-06903     |   |
| 21   | Air slide rod bracket with hardware               |                   | 1-00-856008    | Y |
| 22   | Air control weldment                              |                   | 1-10-856004W   | Y |
| 23   | Air slide   |                   | 1-10-856003W   | Y |
| 24   | Shoe brick gasket                                 |                   | 3-44-06951     | Y |
| 25   | Queen Ann Leg, painted w/Hardware                 | Qty 4 req         | 1-00-7000551   | Y |
| 26   | Right side panel, painted                         |                   | 2-00-857021B   | Y |
| 27   | Heat shield mounting plate, painted               |                   | 2-00-856026B   |   |
| 28   | Ash pan   |                   | 1-10-857037A   | Y |
| 29   | Rear heat shield, painted with hardware           |                   | 1-00-857024    | Y |
| 30   | Flue collar Weldment, Painted W/Gasket & Hardware | Pre 008850219     | 1-10-857038W   | Y |
|      |   | Post 008850219    | 1-10-857001W   | Y |
| 31   | Flue Opening Cover                                |                   | 1-00-857023    |   |
|      |   |                   |                |   |
|      | Blower Blockoff                                   |                   | 1-00-856019    |   |
|      | Brick 12 x 6 x1 1/4                               |                   | 3-40-86125     | Y |
|      | Brick Insulation                                  | Qty 2 req         | 3-40-857054    | Y |
|      | Brick retainers with hardware - Side              | Set of 2          | 1-00-06945     | Y |
|      | Cast Weld on Hinge                                | Qty 2 req         | 3-00-773813    |   |
|      | Combustion Package Cap                            |                   | 2-00-358150B   |   |
|      | Distribution Blower                               |                   | 7000-537       |   |
|      | Power cord  |                   | 3-20-06652     | Y |
|      | Snap Disc Control                                 |                   | 3-20-408412    | Y |
|      | Top Vent Cover                                    |                   | 1-10-857014    |   |
|      | Touch Up Paint                                    | Pre 008850474     | 3-42-1990      |   |
|      |   | Post 008850474    | 3-42-19905     |   |
|      | Ashlip Trim                                       | Brushed Stainless | 3-43-4722386-7 |   |
|      | Door Trim   | Brushed Stainless | 3-43-856015-7  |   |

Additional service parts on following page

