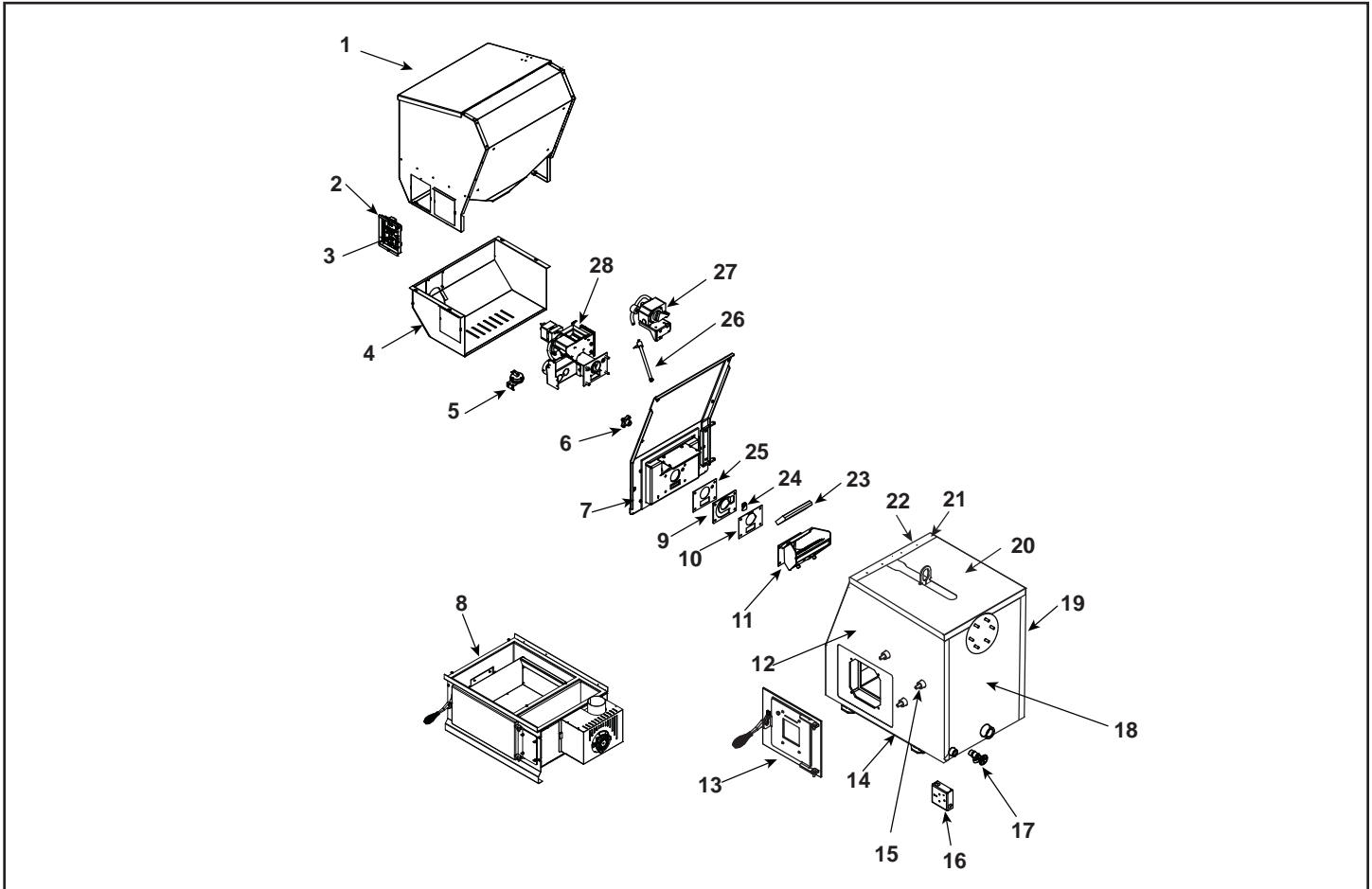


1-90-07205



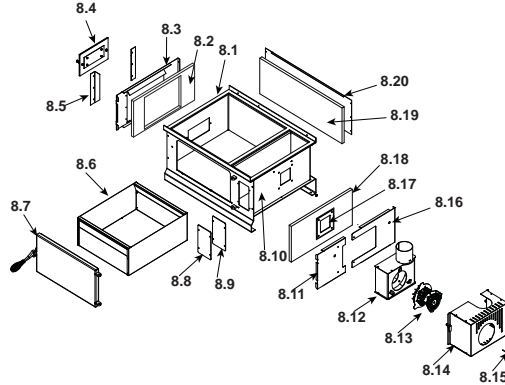
**IMPORTANT: THIS IS DATED INFORMATION.** Parts must be ordered from a dealer or distributor. **Hearth and Home Technologies does not sell directly to consumers.** Provide model number and serial number when requesting service parts from your dealer or distributor.



**Stocked at Depot**

ITEM	DESCRIPTION	COMMENTS	PART NUMBER	
1	Hopper Assembly		1-10-72140A	
	Gasket, Hopper Throat		3-44-677185	Y
	Hopper Latch Retrofit Kit	Pre 008341438	1-00-72212	
	Hopper Lid Assembly		1-10-72167A	
	Hopper Lid Catch		2-00-72166B	
	Hopper Lid Spring Latch	Set of 2	1-00-00927	Y
2	Control Board Plate, Studded w/label		1-10-09330	
3	Circuit Board w/Knobs & Shafts		1-00-06143	Y
	Control Knob/Shaft	25 Sets	1-00-015605	Y
	Fuse, 6 AMP	Pkg of 5	3-20-49447-5	Y
4	Feeder Cover Assembly		2-00-72158B	
5	Differential Switch		3-20-6866	Y
6	Red Nylon Knob		3-31-72196	
7	Swing Plate Assembly		1-10-72153A	
	Hinge Mount Weldment		1-10-72185W	

### #8 Ash Base Assembly



IMPORTANT: THIS IS DATED INFORMATION. Parts must be ordered from a dealer or distributor. **Hearth and Home Technologies does not sell directly to consumers.** Provide model number and serial number when requesting service parts from your dealer or distributor.



Stocked at Depot

ITEM	DESCRIPTION	COMMENTS	PART NUMBER	
8.1	Ash Base Gasket	20 Ft	1-00-88250	Y
8.2	Ash Chamber Insul Left Side		3-44-72182	
8.3	Ash Chamber Jacket Left with Relief Hole		2-00-72125B	
8.4	Relief Door/w Pressure Relief	Pre 008340000	1-10-72209	Y
	Relief Door Assembly	Post 008340000	1-10-72204	
	ReliefDamper Gasket		3-44-72206	
8.5	Sheet Metal Bracket	Qty 2 req	2-00-72203B	
8.6	Ash Pan Assembly		1-10-72129	Y
8.7	Ash Door Assembly		1-10-72137A	Y
8.8	Access Plate w/Gasket		2-00-72132	
	Screw, 1/4-20 x 3/4	Pkg of 100	3-30-1112-100	Y
	Wing Nut. 1/4 -20	Pkg of 25	3-30-8011-25	Y
8.9	Access Plate Gasket only		3-44-72207	Y
8.10	Base Weldment		1-10-00250W	
8.11	Ash Chamber Jacket Right, Left of Comb Hole		2-00-72126B	
8.12	Flue Tunnel Weldment		1-10-72145W	Y
8.13	Combustion Blower		3-21-08639	Y
	Blower Mounting Plate		1-10-73416	
	Blower Mounting Studs	Pkg of 100	1-00-53483208	
	5" Double Blade		3-20-502221	Y
8.14	105 Blower Heat Shield		2-00-72140A	
8.15	ESP Probe		3-20-00844	Y
	ESP Wiring Extension		3-20-72225	Y
8.16	Ash Chamber Jacket Right, Right of Comb Hole		2-00-72127B	
8.17	Combustion Housing Gasket	5 Sets	1-00-07385	Y
8.18	Ash Chamber Insul Right Side		3-44-72183	
8.19	Ash Chamber Insul Back Side		3-44-72184	
8.20	Ash Chamber Jacket Back		2-00-72124B	

Additional service part numbers appear on following page.

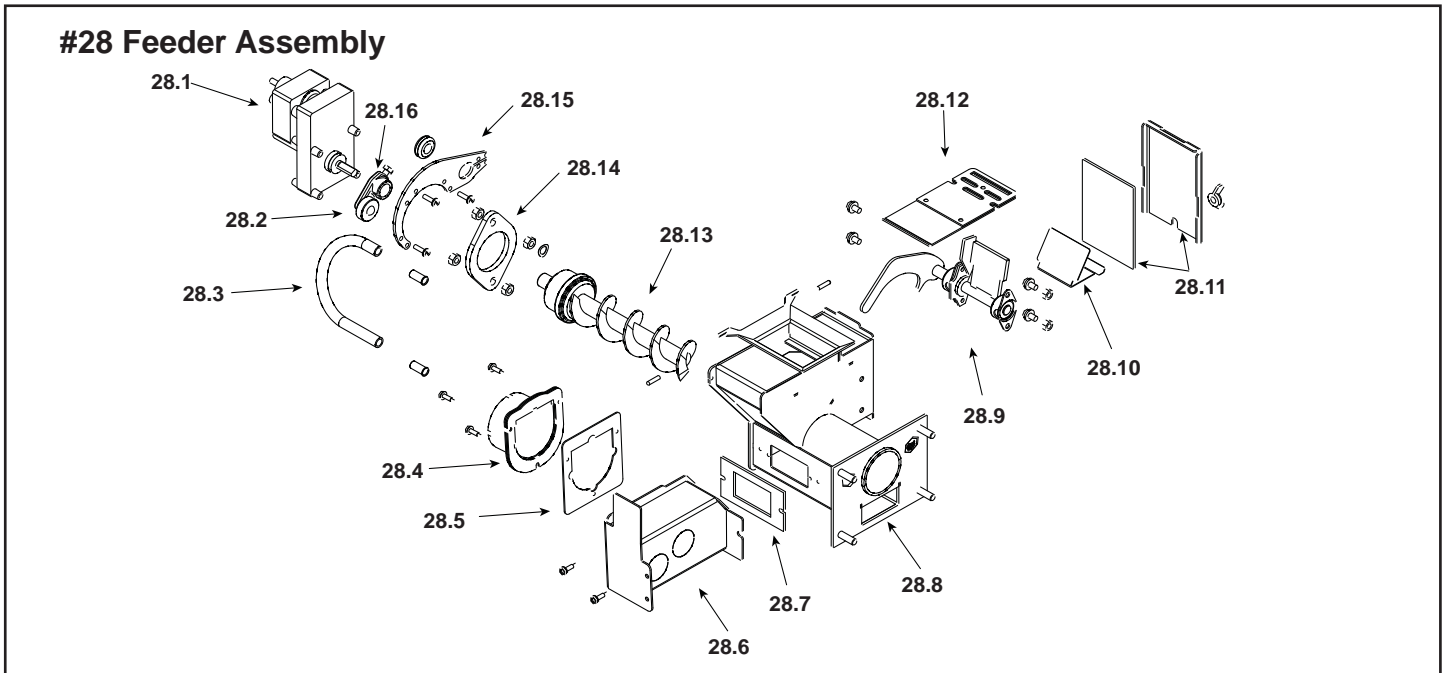
IMPORTANT: THIS IS DATED INFORMATION. Parts must be ordered from a dealer or distributor. **Hearth and Home Technologies does not sell directly to consumers.** Provide model number and serial number when requesting service parts from your dealer or distributor.



Stocked  
at Depot

ITEM	DESCRIPTION	COMMENTS	PART NUMBER	
9	Ceramic Insert Plate		2-00-724104	Y
10	Ceramic Insert Gasket		3-44-724114	Y
11	Burn Pot		1-00-73560	Y
	Clean Out Cover	2 Sets	1-00-06623	Y
	Flame Guide		3-00-08534	Y
	Igniter Cradle Assembly	Pre 008341122	1-00-06620	Y
	Thumb Screw	Pkg of 10	3-31-782108-10	Y
12	Jacket Side Front		2-00-72173B	
	Water Jacket Insulation Front		3-44-72175	
13	View Door Assembly		1-10-72120S	Y
	Mounting Plate Assembly		1-10-72121A	
	View Door Mounting Plate Gasket	10 Ft	1-00-88100	Y
14	Finished Body Weldment		1-89-07205W	
15	Cleanout Rod	Qty. 3 Req.	2-00-01036	Y
	Cleanout Rod Repair Kit		1-00-72210	
	Scraper Rod Guide	Qty. 3 Req.	3-50-72189	Y
16	4 x 4 Steel Box		3-20-52171	
17	1/2" NPT Boiler Drain	Pre 008341121	3-10-05060	
	3/4" NPT Boiler Drain	Post 008341121	3-10-07560	
18	Jacket Side Right		2-00-72171B	
	Water Jacket Insulation Right		3-44-72177	
19	Jacket Backside		2-00-72174B	
	Water Jacket Insulation Back		3-44-72178	
20	Jacket Top		2-00-72172B	
	Water Jacket Insulation Top		3-44-72179	
21	Jacket Top Angle		2-00-72170B	
22	Water Jacket Insulation Left		3-44-72176	
23	Flame Guide Insulator		3-44-35263	Y
24	Ceramic Insert	Pkg of 10	3-20-05238-10	Y
25	Burn Pot Gasket		3-44-724115	Y
26	306W/120V Igniter	Pre 008341121	3-20-677200	Y
	Tempco 450W Igniter	Post 008341121	1-00-10450	Y
27	Air Pump	Post 008341121	3-20-02679	Y
	Air Pump Filter/Fittings		1-00-02679	Y
	Bracket		2-00-853500B	Y
	Feet	Pkg of 4	3-20-02679-4	

Additional service part numbers appear on following page.



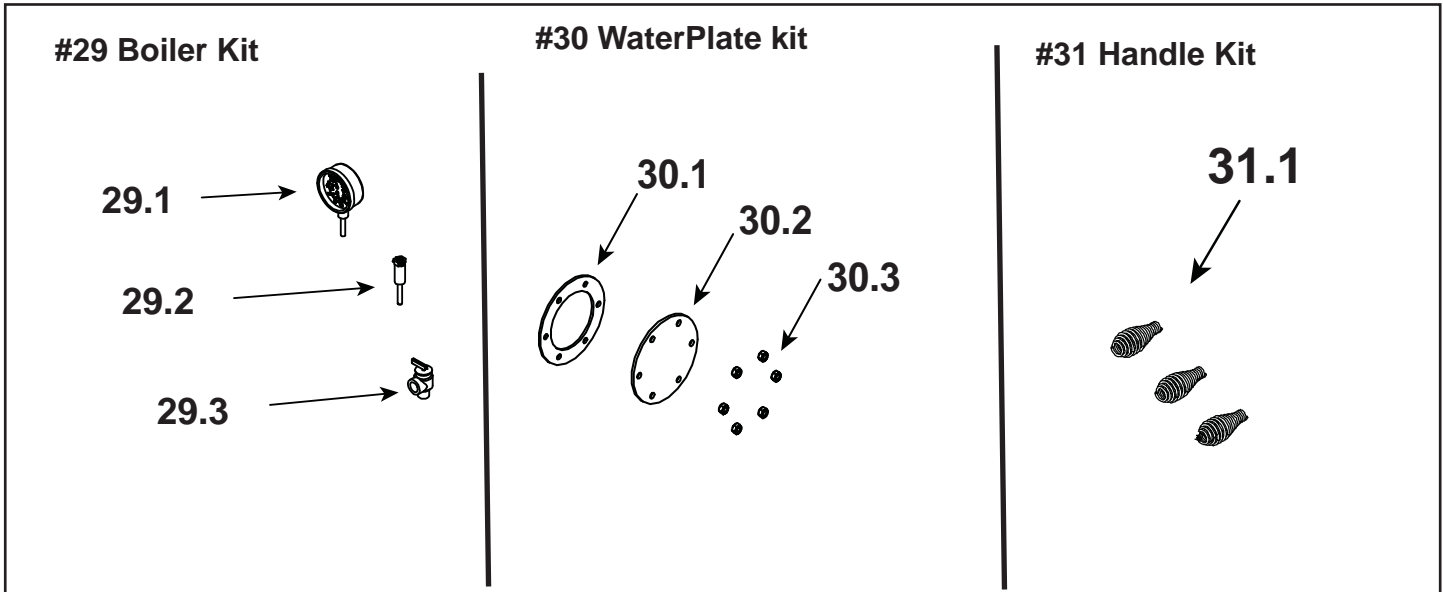
IMPORTANT: THIS IS DATED INFORMATION. Parts must be ordered from a dealer or distributor. **Hearth and Home Technologies does not sell directly to consumers.** Provide model number and serial number when requesting service parts from your dealer or distributor.



Stocked at Depot

ITEM	Description	COMMENTS	PART NUMBER	
28.1	6RPM Gear Motor	Pre 008341121	3-20-09302	Y
	Pellet Feeder Gear Motor, 10RPM	Post 008341121	3-20-02524	Y
	Feed Motor Fan Blade	Pkg of 3	3-20-09302-3	Y
28.2	UL Feeder Cam		3-31-3014	Y
	Grommet	Pkg of 12	3-31-2761-12	
28.3	Feeder Crossover Kit		1-00-67900	Y
	9MM Silicone Tube	5 Ft	1-00-511427	Y
28.4	Pellet Air Intake Assembly		1-10-06810A	
28.5	Gasket Feeder Air Intake	Pkg of 6	3-44-72224-6	Y
28.6	UL Feeder Air Intake		1-10-72222	
28.7	Gasket Ultra Air Intake	Pkg of 10	3-44-677160-10	Y
28.8	Ultra Feeder Weldment		1-10-72226S	Y
28.9	UL Feeder Pusher Arm		1-10-677187W	Y
28.10	Fines Deflector	<b>No longer available</b>	2-00-677138-10	
28.11	Gasket, UL Feeder Cover	Set of 2	1-00-677122	Y
28.12	Slide Plate Assembly		1-10-677121A	Y
28.13	UL Feeder Auger Assembly		3-50-00565	Y
28.14	Bearing Flange w/Hardware		1-00-04035	Y
28.15	UL Feeder Gear Motor Bracket w/Grommet		1-00-247406	Y
28.16	UL Feeder Cam Block		3-00-677154	Y
	Pillow Block	Pkg of 4	3-31-3614087-4	Y

Additional service part numbers appear on following page.



**IMPORTANT: THIS IS DATED INFORMATION.** Parts must be ordered from a dealer or distributor. **Hearth and Home Technologies does not sell directly to consumers.** Provide model number and serial number when requesting service parts from your dealer or distributor.



**Stocked at Depot**

ITEM	DESCRIPTION	COMMENTS	PART NUMBER	
29.1	Press Temp Guage Bottom Mount		3-10-78422	Y
29.2	Immersion Well Wel11A-601R		3-10-935111	Y
29.3	Pressure Relief Valve		3-10-77382	Y
	Boiler Coil assembly		1-00-07006	
	Boiler Coil Washer	Pkg of 2	1-00-07007	
30.1	Water Plate Gasket		3-10-24758	Y
30.2	Steel Water Plate		2-00-01076L	
30.3	7/16-14 Grade 8 Yellow Zinc Finished Hex Nut	Pkg of 25	3-30-8009-25	Y
31.1	Spring Handle .500 Dia	Pkg of 3	3-40-00086-3-3	
<b>Hardware Packages</b>				
	Nut, 1/4"-20 Zinc Plated Finished Hex	Pkg of 100	3-30-8004-100	Y
	Nut, 1/4-20 Zinc Plated Nylon Insert Lock	Pkg of 100	3-30-8022-100	Y
	Nut, 5/16"-18 Grade 8 Yellow Zinc Finished Hex	Pkg of 100	3-30-8006-100	Y
	Screw, #8-18 x 1/2" Hex Washer Head Self Drilling Zinc #2 Pt.	Pkg of 100	3-30-5002-100	Y
	Screw, 1/4-20 x 1" Grade 5 Zinc Plated Hex Cap	Pkg of 50	3-30-1115-50	Y
	Washer, #10-16 x 3/4" Hex Head TEKS 3 SDS Climaseal Plated	Pkg of 100	3-30-5004-100	Y
	Washer, SAEFW 5/16" x 11/16	Pkg of 50	3-30-0205-50	Y
	Washer, USS Lock 5/16	Pkg of 100	3-30-0101-100	Y
	Washer, 1/4" Zinc Plated Split Lock	Pkg of 100	3-30-0100-100	Y
	Washer, 5/16" Zinc Plated External Lock	Pkg of 100	3-30-0303-100	Y
	Wing Screw with Collar, 1/4-20 x 1-1/2"	Pkg of 10	3-31-782124-10	Y

Additional service part numbers appear on following page.

IMPORTANT: THIS IS DATED INFORMATION. Parts must be ordered from a dealer or distributor. **Hearth and Home Technologies does not sell directly to consumers.** Provide model number and serial number when requesting service parts from your dealer or distributor.



Stocked  
at Depot

ITEM	DESCRIPTION	COMMENTS	PART NUMBER	
	Aqua Temp Sensor		3-20-72180	Y
	Arrow Scrapers	Pkg of 10	2-00-773850-10	
	Boiler Coil Plate		1-10-07006	
	Conduit, Flexible	7 Ft	1-00-25043	Y
	Control Cover		2-00-73362B	
	Control Panel Sticker		3-90-83242	
	Diagnostic Display Module		3-20-05401	Y
	DDM Replacement Cable		1-00-05402	
	Disconnects, Female	Pkg of 25	1-00-00959	Y
	Disconnects, Male	Pkg of 25	1-00-00957	Y
	Door Latch Kit			
	Door Latch with Hardware	2 Sets	1-00-00036	Y
	5/16"-24 Grade 8 Yellow Zinc Finished Hex Nut	Pkg of 50	3-30-8007-50	Y
	5/16"-24 x 3/4" Alloy Steel Black Oxide ButtonHeadCapScrew	Pkg of 50	3-30-3018-50	Y
	Draft Meter Assembly		1-00-00637	Y
	Draft Meter Bolt & Tube		1-00-04004	
	Flex Connector, 3/8" Straight		3-20-1000	
	Gasket, 1/2" HD Round	20 Ft	1-00-53500	Y
	Gasket, Glass	15 Ft	1-00-2312	Y
	Glass		3-40-5555	
	Hinge, 1 1/4"	Qty 4 req	2-00-07203D	
	Labels, Caution & Danger	Pkg of 10	1-00-200408541	
	Outdoor Air Extension		3-20-72181	
	Outdoor Air Temp Sensor		3-20-72180	Y
	Outdoor Air Wiring- CAT 3 Cable	100 Ft	3-20-02583	
	Pressure Igniter Kit		1-00-00450	Y
	Rubber Grommet (Hopper Lid)	10 Ft	1-00-00248	Y
	Rivet, 3/8X13/8 RHST	Pkg of 20	3-30-3020-20	Y
	Silicone Tubing, 1/4"	5 Ft	1-00-5113521	Y
	Silicone Tubing, 1/8"	5 Ft	1-00-5113574	Y
	Swell Latch & Spacer		1-00-199110	Y
	Terminals. Female	Pkg of 25	1-00-49315	Y
	Touchup Paint, Prepaint Aerosol		3-42-7737	
	Wiring Harness	Pre 008341121	3-20-72195	
		Post 008341121	3-20-72230	