

1-90-02470-1 (Black) (Active)

Beginning Manufacturing Date: N/A

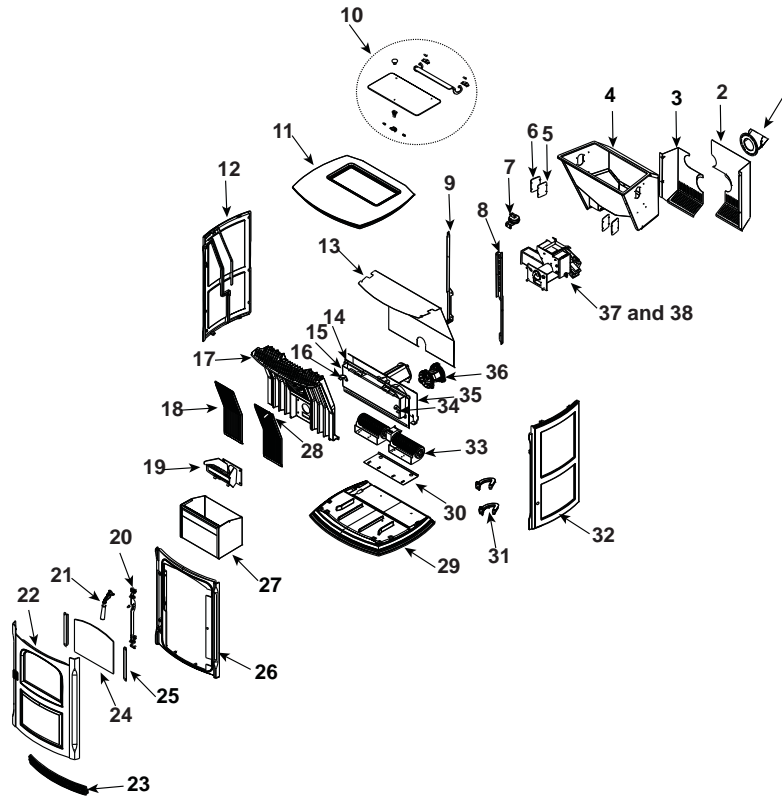
1-90-02470-14 (Majolica Brown) (10/12 - Active)

Ending Manufacturing Date: Active

### Retired Units

1-90-02470-2 (Charcoal) (Ending Manufacturing Date June 2011)  
 1-90-02470-3 (Goldenfire) (Ending Manufacturing Date June 2011)  
 1-90-02470-4 (Metallic Blue) (Ending Manufacturing Date Jan 2010)  
 1-90-02470-5 (Honey Glo) (Ending Manufacturing Date June 2009)

1-90-02470-10 (Mojave Red) (Ending Manufacturing Date Jan 2010)  
 1-90-02470-12 (Forest Green) (Ending Manufacturing Date Jan 2010)  
 1-90-02470-13 (Black Enamel) (Ending Manufacturing Date Mar 2010)  
 1-90-02470-15 (Sand Enamel) (Ending Manufacturing Date July 2009)



**IMPORTANT: THIS IS DATED INFORMATION.** Parts must be ordered from a dealer or distributor. **Hearth and Home Technologies does not sell directly to consumers.** Provide model number and serial number when requesting service parts from your dealer or distributor.



**Stocked at Depot**

ITEM	Description	COMMENTS	PART NUMBER	
1	Flue Tail Pipe		3-00-247237	Y
2	Feeder Shield Right	Pre 008402885	1-10-247142P	Y
		008402885-008408015	1-10-247554	Y
		Post 008408015	1-10-247854	Y
3	Feeder Shield Left	Pre 008402885	1-10-247141P	Y
		Post 008402885	1-10-247553	Y
4	Hopper Assembly	Pre 008400001	1-10-247213A	
		008400001- 008408015	1-10-247778A	
		Post 008408015	1-10-247260A	Y
	Gasket, Hopper Throat		3-44-677185	Y
	Gasket, Hopper Top		1-00-375501	Y
	Grommet, 3/4"		3-31-960021	
	Hopper Switch 48"	Post 008403501	3-20-232108	Y

IMPORTANT: THIS IS DATED INFORMATION. Parts must be ordered from a dealer or distributor. **Hearth and Home Technologies does not sell directly to consumers.** Provide model number and serial number when requesting service parts from your dealer or distributor.



**Stocked  
at Depot**

ITEM	Description	COMMENTS	PART NUMBER	
5	Top Bolt Down Cover	Qty 2 req	2-00-247185L	
6	Top Bolt Down Cover Gasket	Pkg of 2	1-00-07383	
7	Differential Switch		3-20-6866	Y
8	Z Bracket, Right		2-00-247119B	
9	Z Bracket, Left		2-00-247139B	
10	Glass Hopper Lid		3-40-247100	Y
	Gasket,Glass Hopper Lid	Pre 11340	3-44-247300	Y
		Post 11340	1-00-375501	Y
	Gold Plated Knob (Hopper)		1-00-02000	
	Brushed Chrome Knob		1-00-02000-8	
	Hinge Plate	Qty 2 req	2-00-06695L	
	Hopper Ball Spring Plunger (Threaded)	Pkg of 3	3-31-5500-3	
	Hopper Lid Ball Spring Mount Bracket	Pre 11340	2-00-247116	
	Hopper Lid Glass Assembly w/Gasket	Pre 11340	1-10-247100	Y
	Hopper Hinge Assembly (Qty 2 req)	Pre 11340	1-10-247151	Y
	Hopper Lid Hinge	Post 11340	2-00-06694	
	Hopper Lid Spring Latch	Pre 11340	1-00-247167	
	Hopper Lid Latch (Set OF 2)	Post 11340	1-00-0669697	Y
	Push Retainer, 5/16"	Pkg of 100	3-31-94807-100	
	Screw Post 1/4"/ Washers (Hopper Lid)	20 Sets	1-00-129004	Y
11	Cast Top	Painted	4-00-247236S	
12	Cast Side Plate Left	Painted	4-00-247106D	
13	Air Jacket Top		2-00-247219B	
14	Cast Combustion Housing		4-00-247104	
15	Comb Intake Assembly		1-10-247124W	Y
16	Comb Manifold Latch Left		2-00-247126-1S	
17	Cast Heat Exchanger		4-00-247103	
18	Cast Accordion Cover	Qty 2 req	3-00-247105	Y
19	Burn Pot Assembly		1-10-08736	Y
	Clean out Cover	2 Sets	1-00-06623	Y
	Flame Guide		3-00-08534	Y
	Igniter		3-20-677200	Y
		Pkg of 10	1-00-677200	Y
	Igniter Cradle, Holder & Flat Bottom	3 Sets	1-00-06620	Y
	Thumb Screw	Pkg of 10	3-31-782108-10	Y

Additional service parts on following page.

IMPORTANT: THIS IS DATED INFORMATION. Parts must be ordered from a dealer or distributor. **Hearth and Home Technologies does not sell directly to consumers.** Provide model number and serial number when requesting service parts from your dealer or distributor.

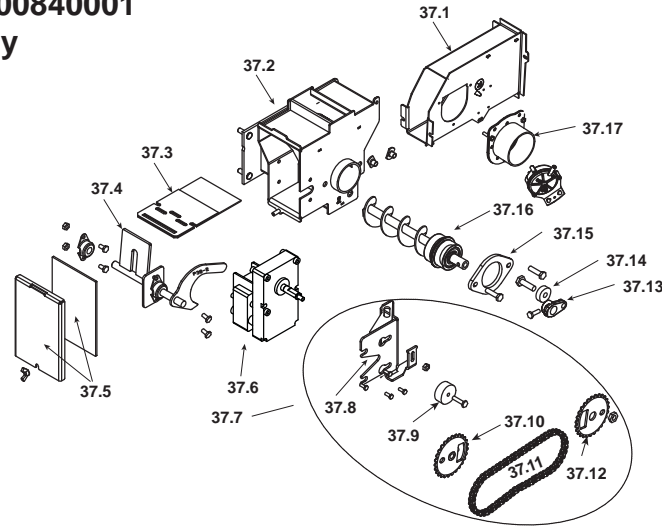


**Stocked  
at Depot**

ITEM	Description	COMMENTS	PART NUMBER	
20	Door Latch Assembly			
	Latch Bar		2-00-247175L	
	Dowel Pin Retainer		2-00-247187L	
	Shoulder Screw, 5/16" shldr x 1/4" x 1/4"-20 Thread Alloy Steel	Pkg of 5	3-30-1105-5	Y
	Dowel Pin 1/4" x 1-1/4"	Pkg of 15	3-30-2017-15	
21	Door Handle Assembly			
	Door Handle - Painted		3-00-247112P	Y
	Door Only	Painted	4-00-247109P	Y
		Majolica Brown	4-00-247109-14S	Y
	Wooden Handle w/ Hardware	2 Sets	1-00-00247	Y
22	Cast Door w/Rope and Grill		1-10-247109A	
	Door Rope		1-00-00888	Y
23	Cast Air Grill		3-00-247114	
24	Door Glass		3-40-777000	Y
	Glass Rope		1-00-2312	Y
25	Glass Retainer	Qty 2 req	2-00-247156B	
26	Cast Front Frame		4-00-247108C	
27	Ash Pan Weldment		1-10-247160	Y
28	Accordion Cover Latch w/Hardware		1-00-247131	
29	Cast Base Plate	Painted	4-00-247110D	
30	Distribution Blower Plate		2-00-247117S	
31	Cast Hinge	Qty 2 req	4-00-247113	
32	Cast Side Plate Right	Painted	4-00-247107D	
33	Distribution Blower		1-00-29145	Y
	Wire Kit (Needed for Bay Motor to EBM)	<b>No longer available</b>	1-00-29045	
34	Combustion Manifold Latch, Right		2-00-247126-2S	
35	Air Jacket BTM Weldment		1-10-247121S	
36	Combustion Blower		3-21-08639	Y
	Blower Mounting Screws	Pkg of 100	1-00-53483212	
	Combustion Blower Gasket		1-00-07383	
	Fan Blade, Single Paddle 5" (Comb Blower)		3-20-40985	Y
37	Feeder Assemblies	Pre 008400001	Parts diagram on following pages	
38		Post 008400001		

Additional service parts on following page.

### # 37 Pre Serial Number 00840001 Feeder Assembly



IMPORTANT: THIS IS DATED INFORMATION. Parts must be ordered from a dealer or distributor. **Hearth and Home Technologies does not sell directly to consumers.** Provide model number and serial number when requesting service parts from your dealer or distributor.

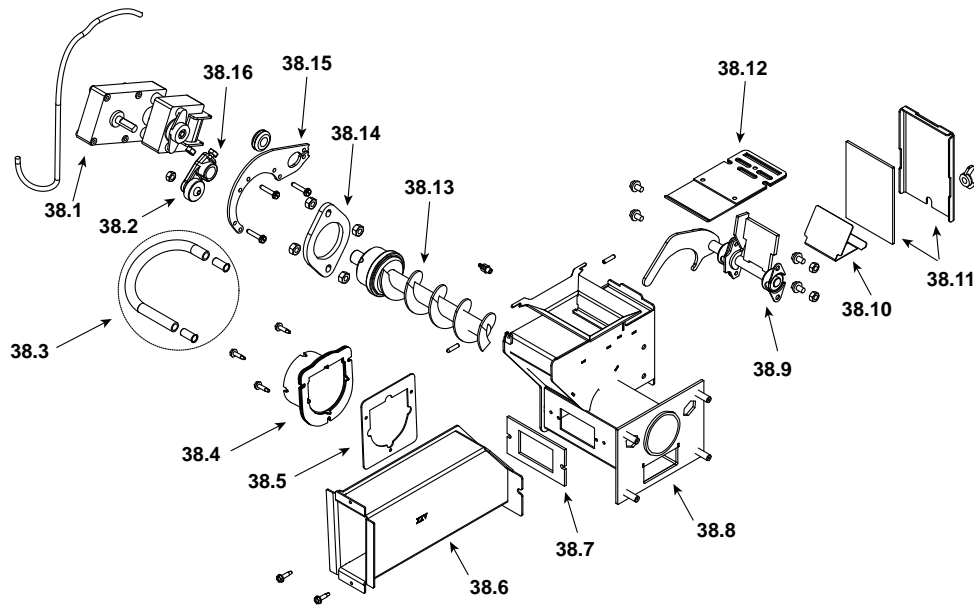


Stocked  
at Depot

ITEM	Description	COMMENTS	PART NUMBER	
37	Feeder Assembly	Pre 008400001	1-10-247677A	
37.1	Air Intake Weldment		1-10-247221W	
37.2	Feeder Weldment		1-10-677150	Y
37.3	Slide Plate Assembly		1-10-08037	Y
37.4	Pusher Arm Assembly		1-10-247220	Y
37.5	Feed Cover and Gasket	2 Sets	1-00-677152	Y
37.6	Gear Motor, 4 RPM		3-20-08752	Y
37.7	Sprocket Kit		1-00-06626	Y
37.8	Bracket, Gear Motor		1-10-677005	Y
	Grommets & Spacers	Pkg fo 25	1-00-960026	
37.9	3/4 Feeder Tensioner		3-31-00075	Y
37.10	3 1/2" Sprocket		2-00-06626M	Y
37.11	Chain - 60 Pin		3-50-06667	Y
37.12	3 1/2" Sprocket w/Hub		1-10-08550W	Y
37.13	Cast Cam Block		3-00-00153	Y
37.14	Cam Bearing		3-31-3014	Y
37.15	Bearing Flange w/Hardware		1-00-04035	Y
37.16	Auger Assembly		3-50-00465	Y
37.17	Air Intake Damper Assembly		1-10-06466W	
	Feeder Air Crossover Kit		1-00-67900	Y
	Feeder Repair kit		1-00-677150	Y
	Gasket, Feeder, Air Intake	Pkg of 6	3-44-72224-6	Y
	Pillow Block	Pkg of 4	3-31-3614087-4	Y
	Pusher Arm, Cast Feeder		1-10-06684	

Additional service parts on following page.

### #38 Post Serial Number 008400001 Feeder Assembly



IMPORTANT: THIS IS DATED INFORMATION. Parts must be ordered from a dealer or distributor. **Hearth and Home Technologies does not sell directly to consumers.** Provide model number and serial number when requesting service parts from your dealer or distributor.



Stocked  
at Depot

ITEM	Description	COMMENTS	PART NUMBER	
38	Feeder Assembly	Post 008400001	1-10-247777A	
38.1	Pellet Feeder Gear Motor, 4 RPM		3-20-00677	Y
38.2	UL Feeder Cam Bearing		3-31-3014	Y
38.3	Feeder Air Crossover Kit		1-00-67900	Y
	9MM Silicone Tube	5 Ft	1-00-511427	Y
38.4	Pellet Air Intake Assembly		1-10-06810A	
38.5	Gasket Feeder Air Intake	Pkg of 6	3-44-72224-6	Y
38.6	UL Feeder Air Intake		1-10-247239	
38.7	Gasket Ultra Air Intake	Pkg of 10	3-44-677160-10	Y
38.8	Ultra Feeder Weldment		1-10-724132	Y
38.9	UL Feeder Pusher Arm		1-10-677187W	Y
38.10	Fines Deflector	No longer available	2-00-677138-10	
38.11	Gasket, UL Feeder Cover		1-00-677122	Y
38.12	Slide Plate Assembly		1-10-677121A	Y
38.13	UL Feeder Auger Assembly		3-50-00565	Y
38.14	Bearing Flange w/Hardware		1-00-04035	Y
38.15	UL Feeder Gear Motor Bracket w/Grommet		1-00-247406	Y
38.16	UL Feeder Cam Block		3-00-677154	Y
	Gasket, Hopper Throat		3-44-677185	Y
	Hopper Switch FeederFitting	Pkg of 2	1-00-142818	Y
	Pillow Block	Pkg of 4	3-31-3614087-4	Y

Additional service parts on following page.

IMPORTANT: THIS IS DATED INFORMATION. Parts must be ordered from a dealer or distributor. **Hearth and Home Technologies does not sell directly to consumers.** Provide model number and serial number when requesting service parts from your dealer or distributor.



**Stocked  
at Depot**

ITEM	Description	COMMENTS	PART NUMBER	
	Airwash O-rings	Pkg of 10	1-00-939639	Y
	Arrow Burn Pot Scraper	Pkg of 10	2-00-773850-10	
	Circuit Board w/Knobs & Shafts		1-00-05886	Y
	Control Board Plate Assembly		1-10-247157S	
	Label, Control Board		3-90-247266	
	D-Shaped Knob/ Shaft	25 Sets	1-00-015605	Y
	Diagnostic Display Module		3-20-05401	Y
	DDM Replacement Cable		1-00-05402	
	Disconnect, Female, 1/4"	Pkg of 25	1-00-00959	Y
	Distribution Blower Gasket		3-44-247118	Y
	Distribution Blower Screen Frame	Pre 008402885	2-00-247173B	Y
	Draft Meter Assembly		1-00-00637	
	Draft Meter Bolt & Tube		1-00-04004	
	Flame Guide Bracket		2-00-247435	Y
	Fuse 6 AMP	Pkg of 5	3-20-49447-5	Y
	Gasket, Base and Sides	5 Ft	1-00-37525	Y
	Gasket, Burn Pot/ Tailpipe	Pkg of 5	1-00-07381	Y
	Hopper Muffler & Fittings		1-00-18186618	Y
	Hopper Switch Retrofit Kit		1-00-232108	Y
	Inlet Reduction Ring (Combustion Blower)		1-00-247234	
	Labels, Caution & Danger	10 Ea	1-00-200408541	
	Label, Large Caution		3-90-00247	
	Leg Levelers	Pkg of 4	1-00-12302	
	Power Cord - 8'		3-20-39685	Y
	Rocker Switch	Pre 008403501	3-20-07625	
	Room Sensor		3-20-00906	Y
	Silicone Tubing, 1/8"	5 Ft	1-00-5113574	Y
	Thermister Probe (ESP Probe)	Pre 008401067	3-20-11744	Y
		Post 008401067	3-20-00844	Y
	Thermostat Extension		3-20-00607	Y
	Touch-up paint, Black	Pre 008408085	3-42-1990	
		Post 008408085	3-42-19905	
	Touch-up Paint, Enamel	Majolica Brown	1-00-0014	
	Wiring Harness		3-20-08727	Y
<b>Hardware Packages</b>				
	Screw, 1/4"-20 x 2 1/2" Phillips Round Head Zinc Pltd Machine	Pkg of 25	3-30-6007-25	Y
	Screw, 1/4"-20 x 1/4" Alloy Steel Black Oxide Button Head Cap	Pkg of 50	3-30-3013-50	Y
	Screw, 1/4"-20 x 3/8" Alloy Steel Black Oxide Button Head Cap	Pkg of 100	3-30-3014-100	Y
	Screw, 5/16" Shldr x 1/4" x 1/4"-20 Thrd Alloy Steel Shoulder	Pkg of 5	3-30-1105-5	Y
	Washer, 5/16" x 3/4" 18-8 Stainless Steel Flat	Pkg of 100	3-30-9003-100	Y