

Pellet Insert

Beginning Manufacturing Date: July 2013
Ending Manufacturing Date: Active

20" Hopper:

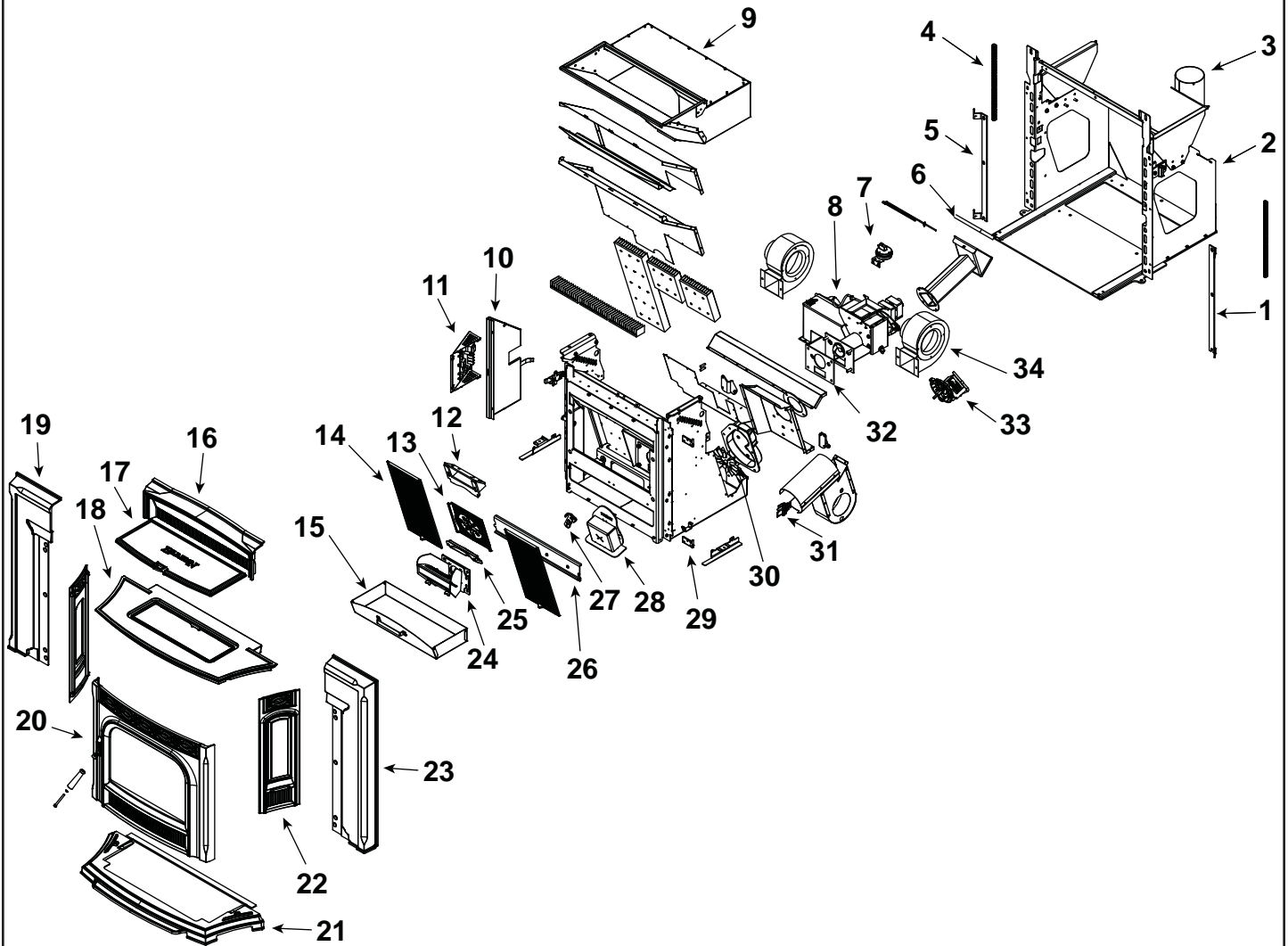
1-90-574200-1 (Black)
1-90-574200-14 (Majolica Brown)

22" Hopper:

1-90-574220-1 (Black)
1-90-574220-14 (Majolica Brown)

24" Hopper:

1-90-574240-1 (Black)
1-90-574240-14 (Majolica Brown)



IMPORTANT: THIS IS DATED INFORMATION. Parts must be ordered from a dealer or distributor. **Hearth and Home Technologies does not sell directly to consumers.** Provide model number and serial number when requesting service parts from your dealer or distributor.



Stocked
at Depot

ITEM	Description	COMMENTS	PART NUMBER	
1	Cast Side Hinge	Right & Left	1-00-574075	
2	Mounting Frame Assembly		1-10-574077A	
	Roller hardware	4 sets	1-00-02243	Y
3	Pipe Stub for 4 in. Flex/PL w/gasket		1-00-574034	Y
	Pipe Stub Plate Gasket	Pkg of 5	3-44-574045	Y
4	All Thread .500-13 x 12, Frame Jacking	Qty 2 req	3-31-00949	
5	Cast Side Hinge	Right & Left	1-00-574075	
6	Docking Gasket Red Silicone		3-44-06108	Y
7	Differential Switch		3-20-6866	Y
	Silicone Tubing, 1/8"	5 Ft	1-00-5113574	Y
8	Feeder Assembly		Refer to page 4	
9	Hopper Assembly - Height 20"		1-10-574334A	Y
	Hopper Assembly - Height 22"		1-10-574339A	Y
	Hopper Assembly - Height 24"		1-10-574038A	Y
	Gasket, Hopper Top	20 ft	1-00-375501	Y
	Gasket, Hopper Throat		3-44-677185	Y
10	Control Heat Shield		2-00-574082B	
11	Control Board Mounting Plate		1-10-574121	
	Circuit Board w/Knobs & Shafts		1-00-05886	Y
	D-Shape Knob/ Shaft	25 Sets	1-00-015605	Y
	Control Board Label		3-90-06655A	
	Fuse 6 AMP	Pkg of 5	3-20-49447-5	Y
12	Medallion Holder		1-10-574098W	
13	Cast Center Medallion		3-00-674060	Y
14	Cast Heat Exchanger CVR	Qty 2 req	3-00-674050	Y
15	Ash Pan		1-10-574007A	Y
16	Cast Wing Center	Black Paint	4-00-574323P	Y
		Majolica Brown	1-10-574323-14	Y
17	Cast Hopper Lid	Black Paint	4-00-574320P	
		Majolica Brown	1-10-574320-14	
	Latch Kit w/Hardware		1-00-574345	Y
	Label, Large Caution		3-90-00247	
18	Cast Top	Black Paint	4-00-574319P	
		Majolica Brown	1-10-574319-14	
19	Cast Wing Left	Black Paint	4-00-574321P	Y
		Majolica Brown	1-10-574321-14	Y

Additional service parts on following page.

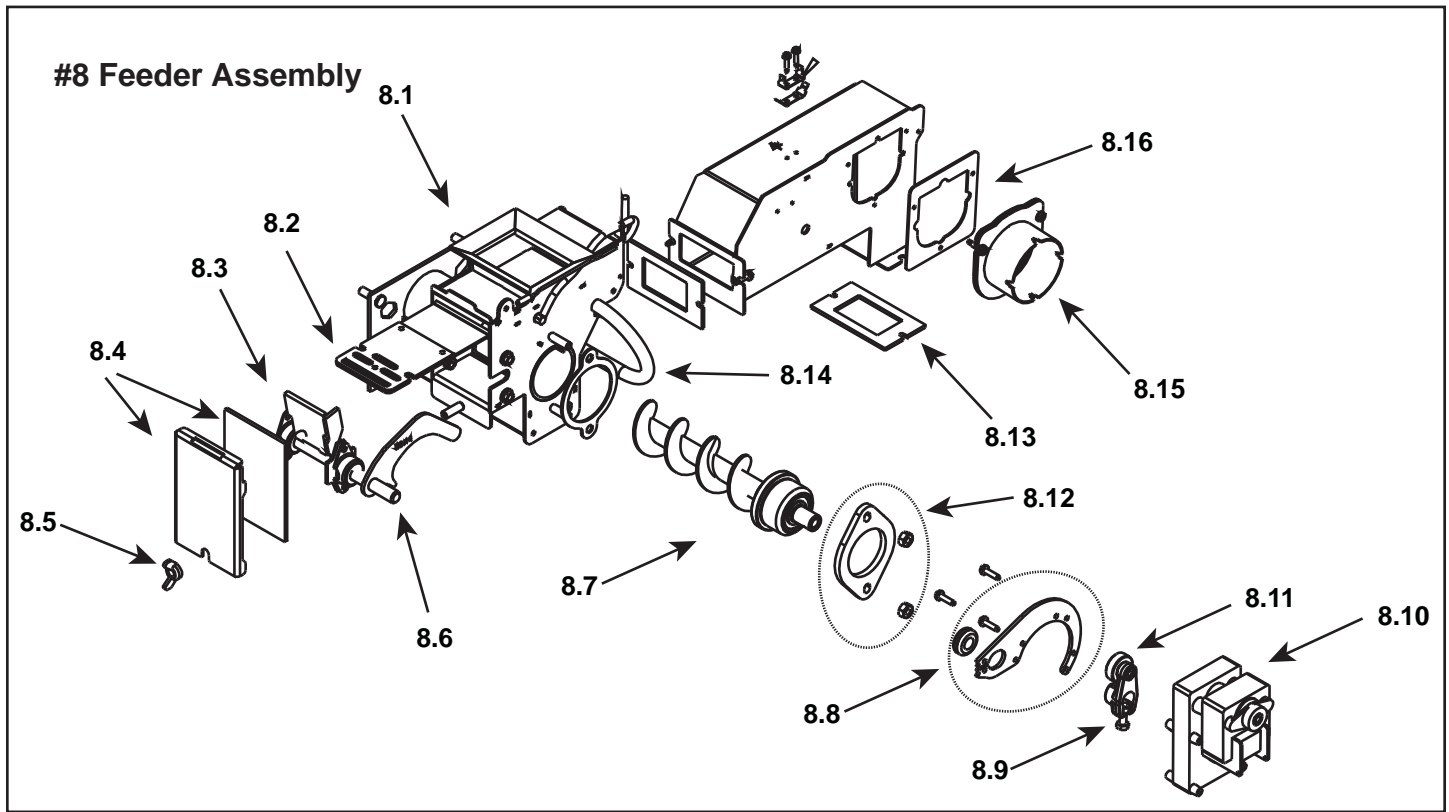
IMPORTANT: THIS IS DATED INFORMATION. Parts must be ordered from a dealer or distributor. **Hearth and Home Technologies does not sell directly to consumers.** Provide model number and serial number when requesting service parts from your dealer or distributor.



Stocked
at Depot

ITEM	Description	COMMENTS	PART NUMBER	
20	Door Assembly	Black Paint	4-00-674053A	Y
		Majolica Brown	4-00-674053-14A	Y
	Door Latch		3-00-249119P	Y
	Glass		3-40-677000	Y
	Glass Clip	Pkg of 4	1-00-249140	Y
	Rope 3/16" Gasket w/PSA (Glass)	10 Ft	1-00-1186258229	Y
	Rope 3/8" Gasket (Door)	30 Ft	1-00-00888	Y
	Trim Plate		2-00-674206P	
	Wood Handle & Bolt	Pkg of 2	1-00-00247	Y
	Latch Roller hardware		1-00-05230	Y
21	Cast Bottom Ashlip	Black Paint	3-00-574318P	
		Majolica Brown	1-10-574318-14	
	Magnetic Latch Assembly w/3/16" Hole	2 Sets	1-00-08288	
22	Cast Side Panel, Qty 2 req	Black Paint	4-00-674054P	
		Majolica Brown	1-10-574054-14	
23	Cast Wing Right	Black Paint	4-00-574322P	Y
		Majolica Brown	1-10-574322-14	Y
24	Burn Pot Weldment		1-00-574400	Y
	Igniter Element		3-20-677200	Y
		Pkg of 10	1-00-677200	Y
	Igniter Cradle, Holder, Flat bottom	Pre 008259179	1-00-06620	Y
	Superwool Gasket	Qty 2 req	3-44-724114	Y
	Cleanout Cover	2 sets	1-00-06623	Y
	Thumb Screw	Pkg of 10	3-31-782108-10	Y
25	Flame Guide		3-00-03000	Y
26	Cleanout cover		1-00-574086	
	Cleanout cover gasket	3.5 ft	1-00-10025	Y
27	Combustion Cover Latch Assembly		1-10-574080	
28	Combustion Cover		3-20-502221	
29	Hinge Plate	Qty 2 req	3-00-674047	
30	Motor Blade, 5" Double Paddle		3-20-502221	Y
	Blower Mounting Screws	Pkg of 100	1-00-53483208	
31	Spring Latches with hardware	Set of 2	1-00-00927	Y
32	Burn Pot Gasket	Pkg of 5	1-00-07381	Y
33	Combustion Blower		3-21-08639	Y
34	Distribution Blower	Qty 2 req	3-21-33647	Y

Additional service parts on following page.



IMPORTANT: THIS IS DATED INFORMATION. Parts must be ordered from a dealer or distributor. **Hearth and Home Technologies does not sell directly to consumers.** Provide model number and serial number when requesting service parts from your dealer or distributor.



Stocked
at Depot

ITEM	Description	COMMENTS	PART NUMBER	
8	Feeder Assembly		1-10-574055A	
8.1	Ultra Feeder Weldment		1-10-724132	Y
8.2	Slide Plate Assembly		1-10-677121A	Y
8.3	Pusher Arm Pillow Block	Pkg of 4	3-31-3614087-4	Y
8.4	Gasket, UL Feeder Cover		1-00-677122	Y
8.5	5/16-18 wing screw	Pkg of 25	3-30-8012-25	
8.6	UL Feeder Pusher Arm		1-10-677187W	Y
8.7	UL Feeder Auger Assembly		3-50-00565	Y
8.8	UL Feeder Gear Motor Bracket w/Grommet		1-00-247406	Y
8.9	UL Feeder Cam Block		3-00-677154	Y
8.10	Pellet Feeder Gear Motor, 4 RPM		3-20-60906	Y
8.11	UL Feeder Cam Bearing		3-31-3014	Y
8.12	Bearing Flange w/Hardware		1-00-04035	Y
8.13	Gasket Ultra Air Intake	Pkg of 10	3-44-677160-10	Y
8.14	Feeder Air Crossover Kit		1-00-67900	Y
	9MM Silicone Tube	5 Ft	1-00-511427	Y
8.15	Pellet Air Intake Assembly		1-10-06810A	
8.16	Gasket Feeder Air Intake	Pkg of 6	3-44-72224-6	Y