

IMPORTANT: THIS IS DATED INFORMATION. Parts must be ordered from a dealer or distributor. **Hearth and Home Technologies does not sell directly to consumers.** Provide model number and serial number when requesting service parts from your dealer or distributor.

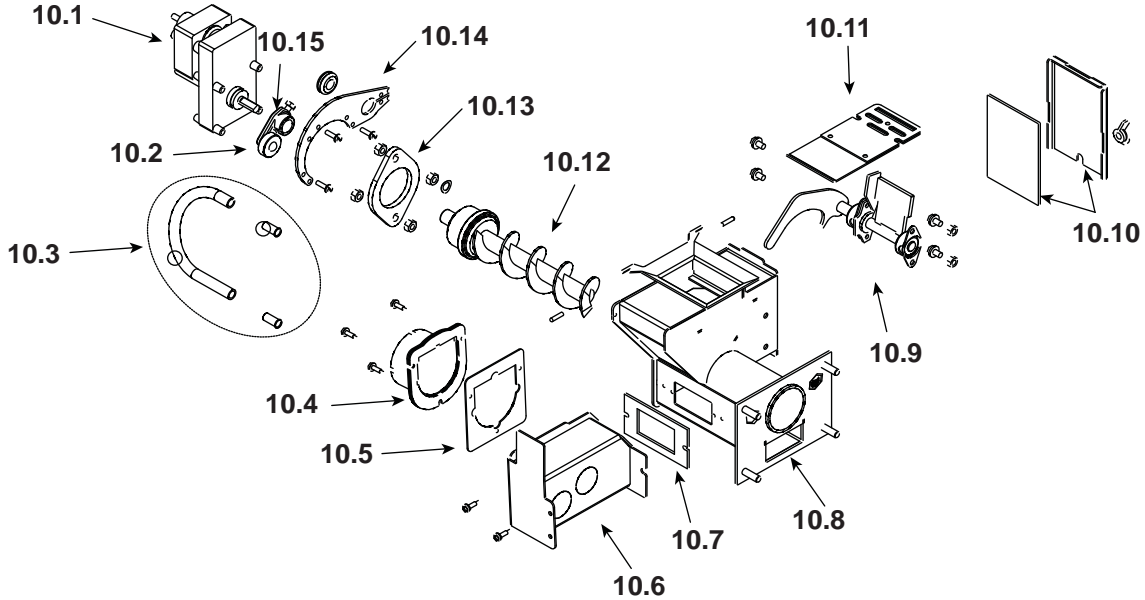


**Stocked
at Depot**

ITEM	Description	COMMENTS	PART NUMBER	
1	Hopper Assembly		1-10-73807A	
2	Hopper Lid Assembly		1-10-73491A	
	Spring Catch	Set of 2	1-00-00927	Y
	Hopper Lid Catch		2-00-72166B	
	Hinge, Hopper Lid		3-31-73325	
	Gasket, Hopper Lid	10 Ft	1-00-00248	Y
	Gasket, Hopper Throat		3-44-677185	Y
3	Fan Control / High limit		3-20-23139	Y
4	Combustion Blower		3-21-08639	Y
	Mounting Plate		1-10-73416	
	Grommets & Spacers	Pkg of 25	1-00-960026	
	Fan Blade, 4 3/4" Single Paddle (Combustion Blower)		3-21-00661	Y
	Comb Blower Mounting Screws	Pkg of 100	1-00-53483208	
	Comb Blower Heat Shield		2-00-73339	
5	Filter box kit		1-00-73421A	
6	Bottom Cover	Front	2-00-73338-15S	
		Rear	2-00-73340-15S	
7	Ash Door		1-10-73814-15A	
8	Top Cover	Front	2-00-73411-15S	
		Rear	2-00-73412-15S	
9	Shaker Cover		2-00-73335-15S	
	Shaker Weldment		1-10-73354	
	Shaker Chains	Set of 8	1-00-003027	
	Gasket, Chain shaker	Pkg of 2	3-44-08100-2	Y

Additional service parts on following page.

#10 Feeder Assembly



IMPORTANT: THIS IS DATED INFORMATION. Parts must be ordered from a dealer or distributor. **Hearth and Home Technologies does not sell directly to consumers.** Provide model number and serial number when requesting service parts from your dealer or distributor.



Stocked
at Depot

ITEM	Description	COMMENTS	PART NUMBER	
10.1	Pellet Feeder Gear Motor, 10 RPM		3-20-02524	Y
10.2	UL Feeder Cam		3-31-3014	Y
10.3	Feeder Air Crossover Kit		1-00-67900	Y
	9MM Silicone Tube	5 Ft	1-00-511427	Y
10.4	Pellet Air Intake Assembly		1-10-06810A	
10.5	Gasket Feeder Air Intake	Pkg of 6	3-44-72224-6	Y
10.6	UL Feeder Air Intake		1-10-73811W	
10.7	Gasket Ultra Air Intake	Pkg of 10	3-44-677160-10	Y
10.8	Ultra Feeder Weldment		1-10-73504	
10.9	UL Feeder Pusher Arm		1-10-677187W	Y
	Pillow Block	Pkg of 4	3-31-3614087-4	Y
10.10	Gasket, UL Feeder Cover		1-00-677122	Y
10.11	Slide Plate Assembly		1-10-677121A	Y
10.12	UL Feeder Auger Assembly		3-50-00565	Y
10.13	Bearing Flange w/Hardware		1-00-04035	Y
10.14	UL Feeder Gear Motor Bracket w/Grommet		1-00-247406	Y
10.15	UL Feeder Cam Block		3-00-677154	Y

Additional service parts on following page.

IMPORTANT: THIS IS DATED INFORMATION. Parts must be ordered from a dealer or distributor. **Hearth and Home Technologies does not sell directly to consumers.** Provide model number and serial number when requesting service parts from your dealer or distributor.



Stocked
at Depot

ITEM	Description	COMMENTS	PART NUMBER	
	AC double Pole Relay		3-20-38056	
	Air Fliters	Pkg of 12	3-40-20201-12	
	Arrow Burn Pot Scraper	Pkg of 10	2-00-773850-10	
	Ash Door Ash Slide		2-00-73371B	
	Ash Pan		1-10-73351	Y
	Blower Air Jacket		2-00-73334B	
	Blower Box, Access Side		2-00-73423B	
	Blower Box, Cover		2-00-73429B	
	Blower Box, Top or Bottom		2-00-73424B	
	Brick Ledge		1-10-73822W	
	Fire Brick 12 x 6 x 1.25"	Qty 2 req	3-40-86125	Y
	Burn Pot Assembly w/Gasket		1-10-73695A	Y
	Clean Out Cover	2 Sets	1-00-06623	Y
	Thumb Screw	Pkg of 10	3-31-782108-10	Y
	Flame Guide		3-00-08534	Y
	Flame guide insulator		3-44-35263	Y
	Gasket, Burn Pot	Pkg of 5	1-00-07381	Y
	Silicone Gasket		3-44-73954	Y
	Cable 2 Pair twisted cat 3 (50' for wall control)		3-20-02583	
	Circuit Board w/Knobs & Shafts		1-00-05888	Y
	Circuit Plate, studded w/label		1-10-09412A	
	Control Knob/ Shaft	25 Sets	1-00-015605	Y
	Fuse, 6 AMP	Pkg of 5	3-20-49447-5	Y
	Circuit breaker 10 Amp (orange - on/off switch)		3-20-334110	Y
	Circuit breaker harness - to control board		3-20-83560	
	Conduit, 3/8" Flexible	7 Ft	1-00-25043	Y
	Control Cover, Painted		2-00-73362B	
	Diagnostic Display Module		3-20-05401	Y
	DDM Replacement Cable		1-00-05402	
	Differential Pressure Switch		3-20-6866	Y
	Disconnects, Male	Pkg of 25	1-00-00957	Y
	Disconnects, Female	Pkg of 25	1-00-00959	Y
	Distribution Blower		3-21-19599	
	Distribution Blower mounting bracket	Qty 2 req	2-00-73430B	
	Draft Meter Assembly		1-00-00637	Y
	Draft Meter Bolt & Tube		1-00-04004	
	ESP (Exhaust Sensing Probe)	Red wires	3-20-00844	Y

Additional service parts on following page.

